

697,854 AMENDED SPECIFICATION

3 SHEETS

This drawing is a reproduction of the Original on a reduced scale.

SHEETS 2 & 3

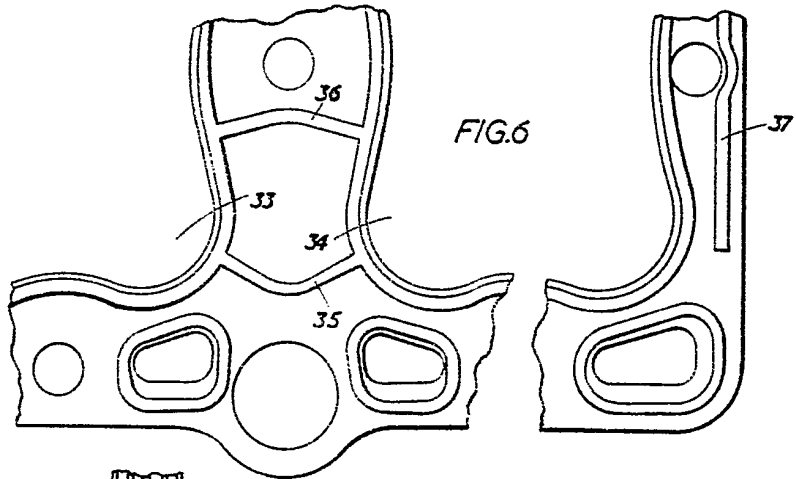


FIG. 6

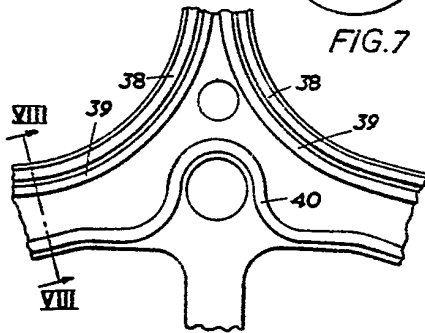


FIG. 7

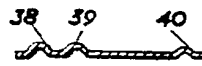


FIG. 8

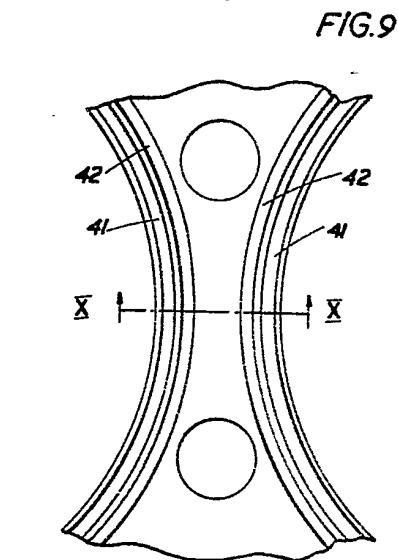


FIG. 9

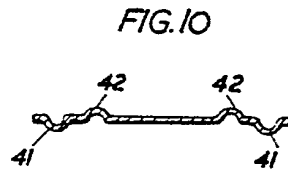


FIG. 10