

FIG. 1.

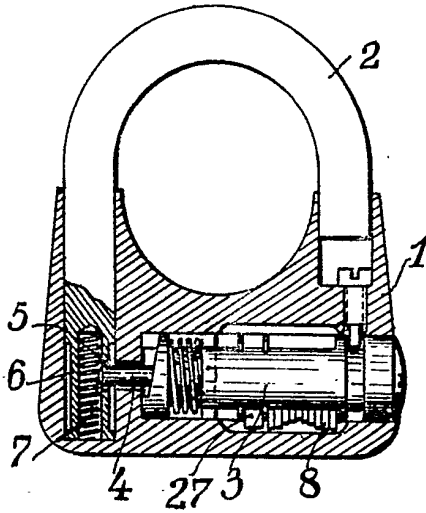


FIG. 2.

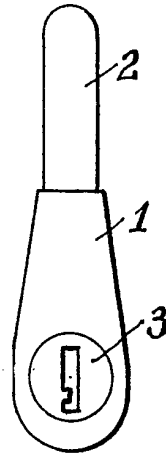


FIG. 3.

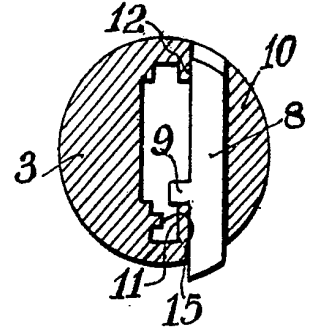


FIG. 4.

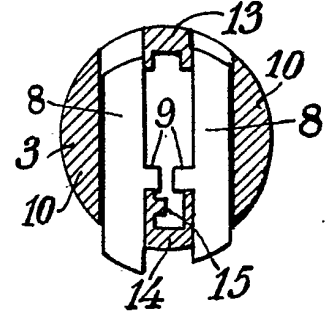


FIG. 5.

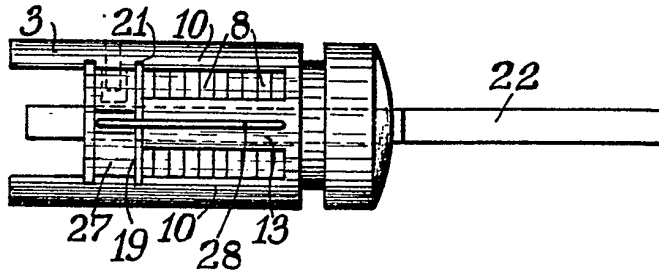


FIG. 6.

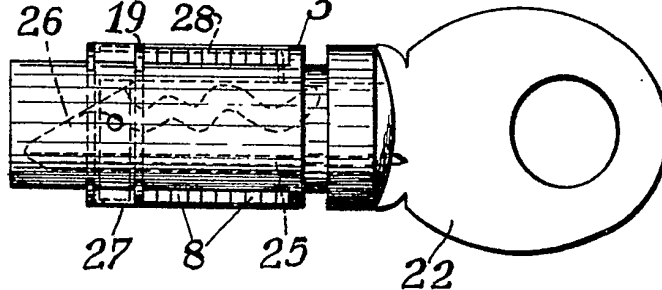
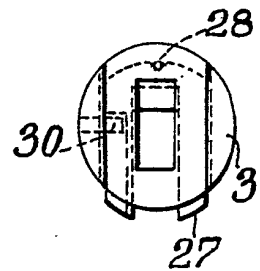


FIG. 7.



[This Drawing is a reproduction of the Original on a reduced scale.]