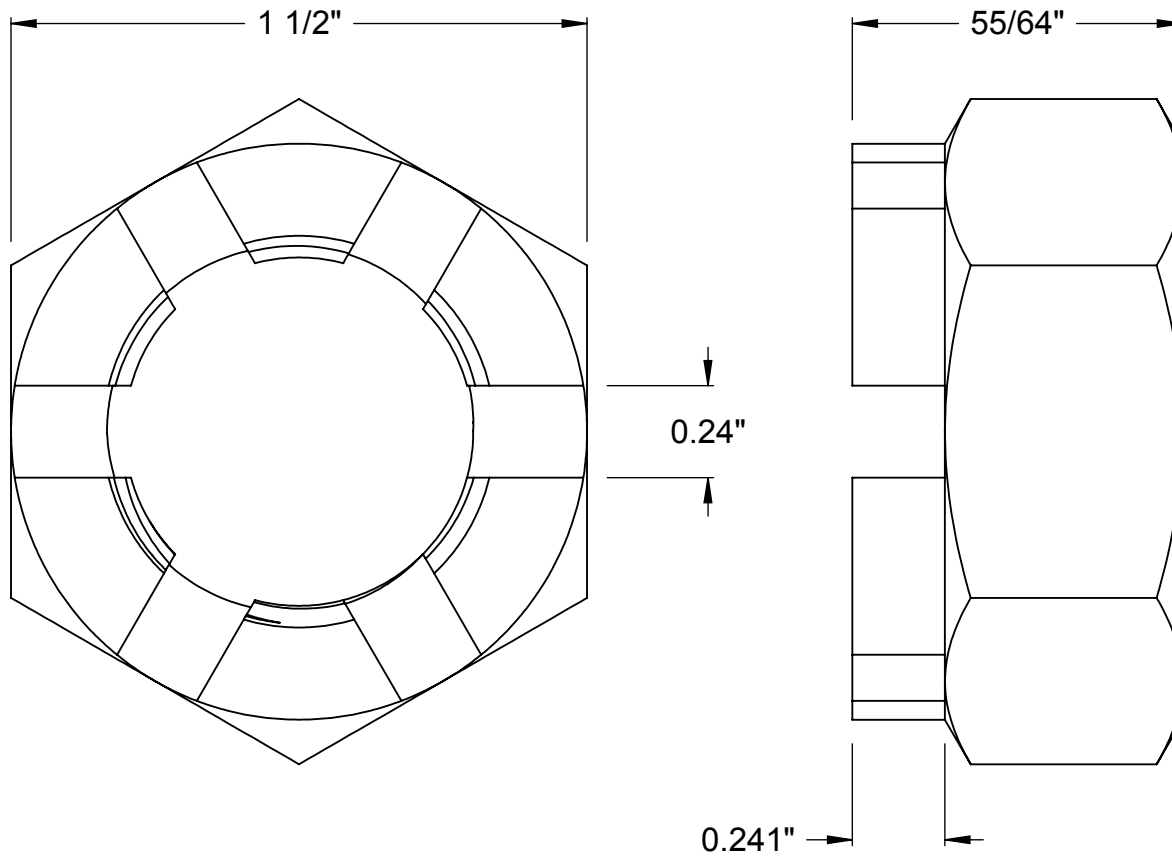


1"-14 Thread



For 3/16" Cotter Pin Diameter

McMASTER-CARR <small>CAD</small>	PART NUMBER	95030A320
http://www.mcmaster.com		Slotted Locknut
© 2015 McMaster-Carr Supply Company		for use with Cotter Pins
Information in this drawing is provided for reference only.		