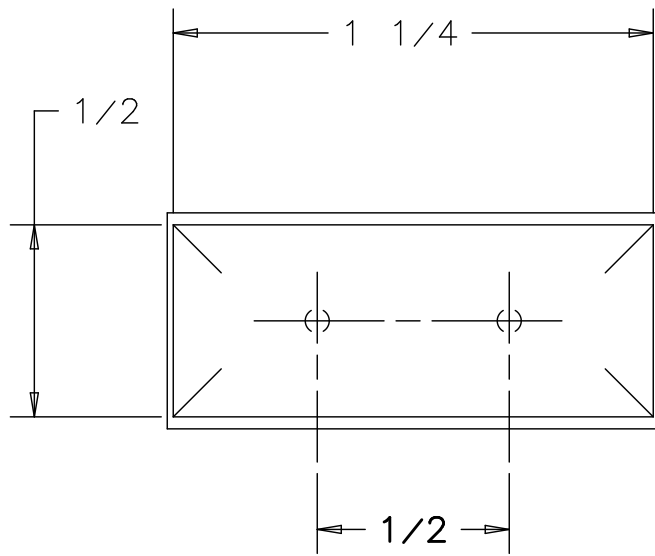
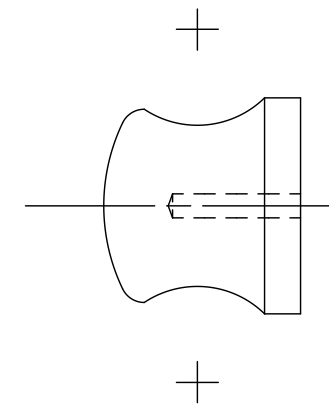
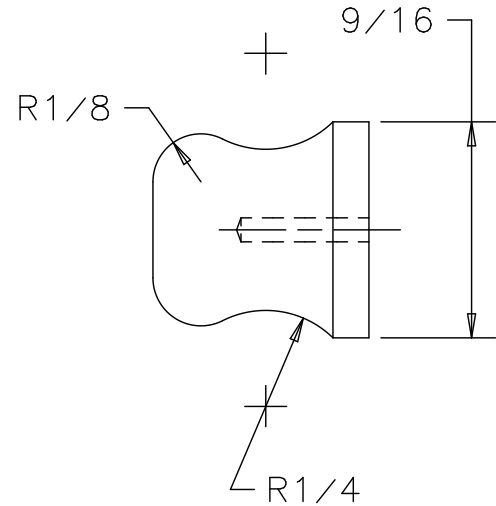


REV.	DESCRIPTION	DRAWN	DATE
		APPD.	DATE

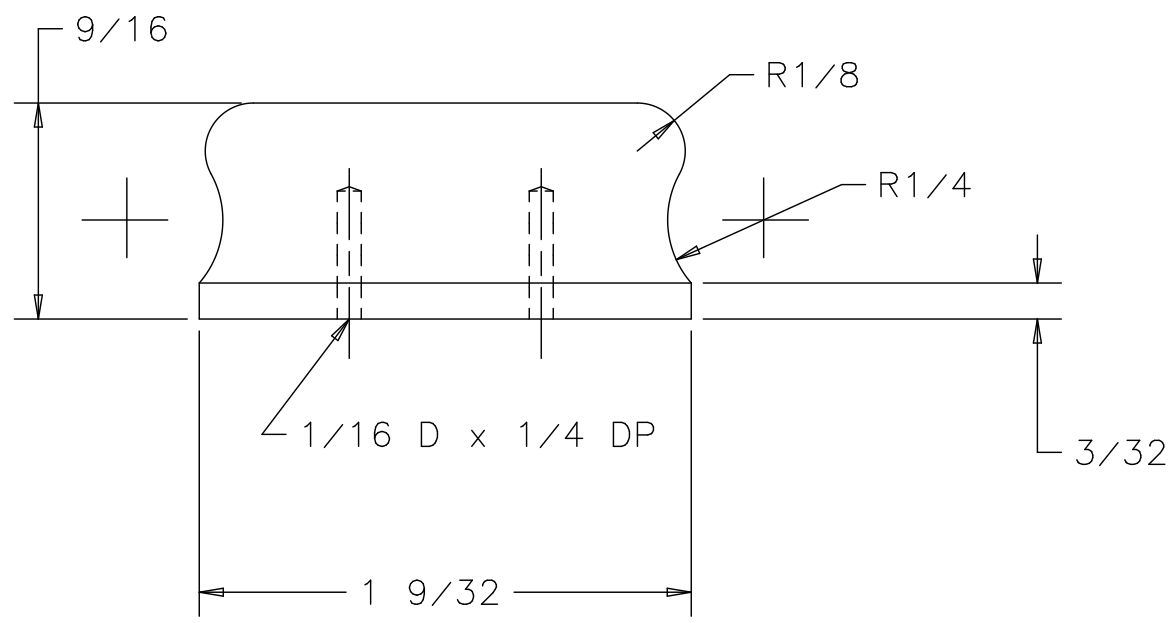


THIS SHAPE  
FOUND ON  
MARK V SALOON  
627933

ALTERNATE SHAPE  
FOUND ON  
XK120 FHC  
679187



BD.4717 REPLACED BD.2567/5  
WHICH IS LISTED ONLY WITH  
MARK V SALOON MAP DRAWER



ITEM	PART NO.	DESCRIPTION OR SIZE	QTY.
PARTS LIST			
UNLESS OTHERWISE SPECIFIED		ORIGINATOR	W. LYONS
		DRAWN	R. E. REILLY
±	±	CHECKED	12-01
1. BREAK ALL SHARP EDGES 1/64 MAX.		APPROVED	
2. DO NOT SCALE DRAWING.		USED ON	MARK V, VII
3. DIMENSIONS BASED UPON ANSI Y14.5M-1982			XK120, 140
4. MAX. ALL MACH. SURFACES √		MATERIAL	WALNUT

**JAGUAR CARS, LTD.**  
HOLBROOK LANE, FOLESHILL, COVENTRY, ENGLAND

KNOB FOR CUBBY BOX LID  
MAP DRAWER AND SUNVISOR

SCALE	FILMED	DRAWING NUMBER	REV.
		BD.4717	

CADFILE: CREATED WITH I-DEAS\_VI USER NAME: