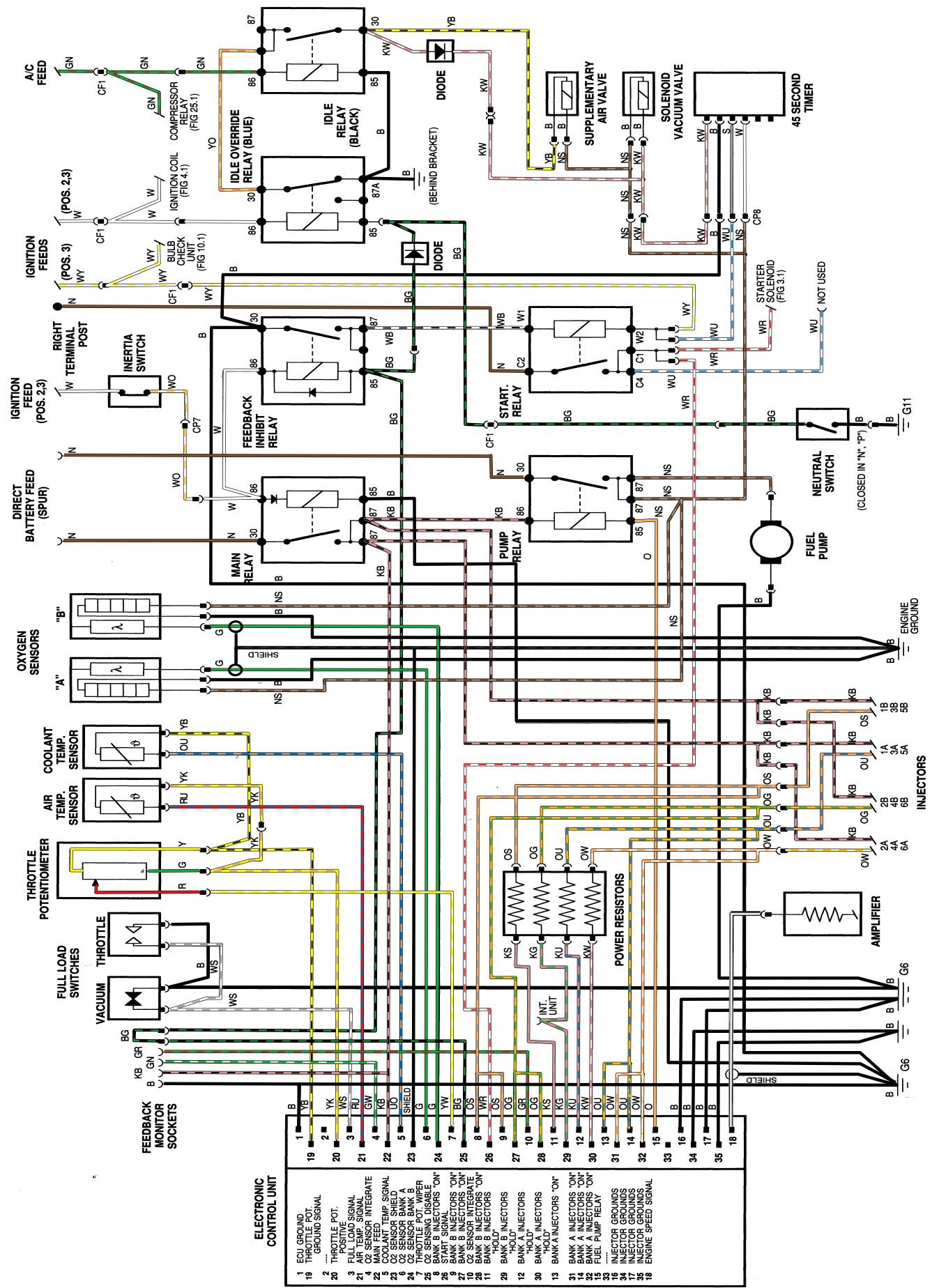


FIG 24.3 EFI AND EMISSIONS CONTROL (VIN 133461-139052)



**ELECTRONIC CONTROL UNIT**

- 1 ECU GROUND
- 2 THROTTLE POT. GROUND SIGNAL
- 3 POSITIVE SIGNAL
- 4 AIR TEMP. SIGNAL
- 5 COOLANT TEMP. SIGNAL
- 6 O<sub>2</sub> SENSOR INTEGRATE
- 7 O<sub>2</sub> SENSOR BANK A
- 8 O<sub>2</sub> SENSOR BANK B
- 9 THROTTLE POSITIONER
- 10 THROTTLE POSITIONER
- 11 BANK A INJECTORS "ON"
- 12 BANK B INJECTORS "ON"
- 13 BANK A INJECTORS "OFF"
- 14 BANK B INJECTORS "OFF"
- 15 FUEL PUMP RELAY
- 16 INJECTOR GROUNDS
- 17 INJECTOR GROUNDS
- 18 ENGINE SPEED SIGNAL

- 19 THROTTLE POT.
- 20 POSITIVE SIGNAL
- 21 AIR TEMP. SIGNAL
- 22 COOLANT TEMP. SIGNAL
- 23 O<sub>2</sub> SENSOR INTEGRATE
- 24 O<sub>2</sub> SENSOR BANK A
- 25 O<sub>2</sub> SENSOR BANK B
- 26 THROTTLE POSITIONER
- 27 THROTTLE POSITIONER
- 28 BANK A INJECTORS "ON"
- 29 BANK B INJECTORS "ON"
- 30 BANK A INJECTORS "OFF"
- 31 BANK B INJECTORS "OFF"
- 32 FUEL PUMP RELAY
- 33 INJECTOR GROUNDS
- 34 INJECTOR GROUNDS
- 35 ENGINE SPEED SIGNAL