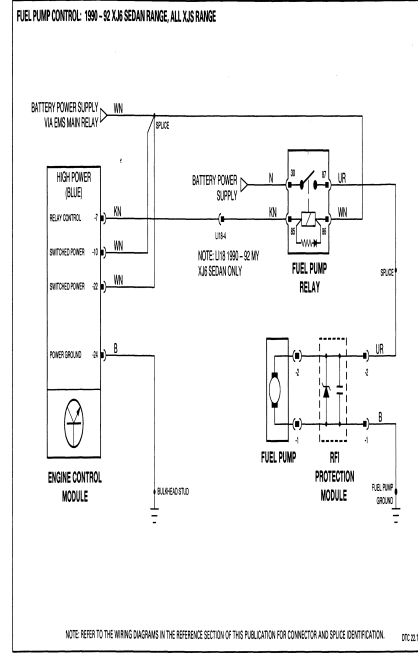


CIRCUIT DIAGRAMS

DTC 22 FUEL PUMP CONTROL CIRCUIT



The ECM looks for an incorrect internal circuit voltage that indicates the state of the fuel pump relay coil switching circuit (oxygen sensor heater relay: 1993 MY ON XJ6). This internal voltage cannot be measured.

The ECM switches on the fuel pump by grounding the fuel pump relay coil circuit (B5 pin) (all XJ6 and 1990-92 MY XJ6). On 1993 MY ON XJ6, the ECM switches on the fuel pump by grounding the oxygen sensor heater relay, which in turn switches the fuel pump relay. The fuel pump is switched on for approximately 1 second after the ignition is switched ON, and when an engine speed signal is present.

The ECM will flag DTC 22 if the fuel pump control circuit is open or short circuit while the fuel pump is operating.

CONDITIONS REQUIRED FOR DTC 22 FLAGGING:

- Ignition Ignition ON
- Fuel pump Fuel pump operating
- ECM internal circuit Indicates that the fuel pump control circuit is open or short circuit.
- Response time 600 milliseconds

LIMP HOME DEFAULT:

NONE

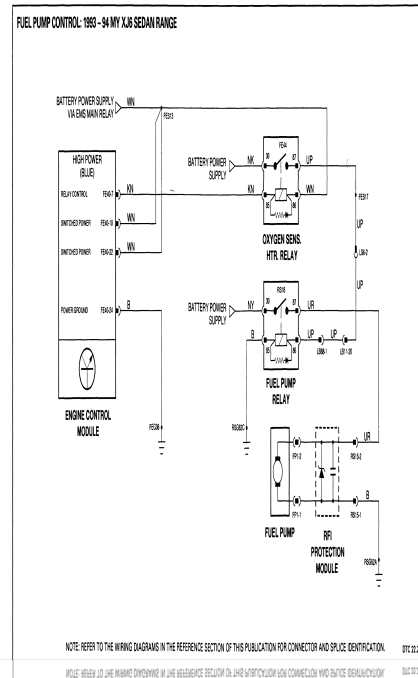
POSSIBLE FAULTS:

- Low battery voltage
- Poor ECM power feed or ground connections
- Short circuit or open circuit wiring from the ECM to the fuel pump relay (all XJ6 and 1990-92 MY XJ6)
- Short circuit or open circuit wiring from the ECM to the oxygen sensor heater relay (1993 MY ON XJ6)
- Short circuit or open circuit wiring in ignition switched power to above relays pin B5
- Loose connector pins U17B - 6-way PMA yellow connector under air cleaner (1991-92 MY XJ6)
- Faulty relay
- Air pump relay circuit fault

DIAGNOSTIC NOTES:

1. If DTC 66 is also flagged, first investigate the cause of the air injection relay control circuit.
2. If the fuel pump is inoperative but DTC is not flagged, investigate the fuel pump switched power supply (relay), fuel pump ground and the fuel pump mechanical condition.

Continued at left on foldout.



NOTE: REFER TO THE WIRING DIAGRAMS IN THE REFERENCE SECTION OF THIS PUBLICATION FOR CONNECTOR AND SPLICE IDENTIFICATION.