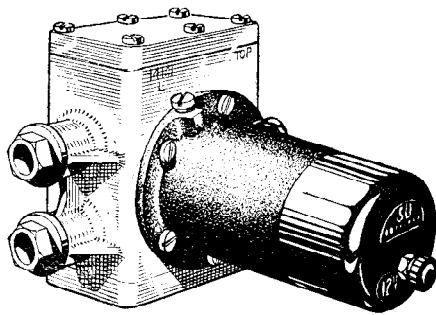


THE

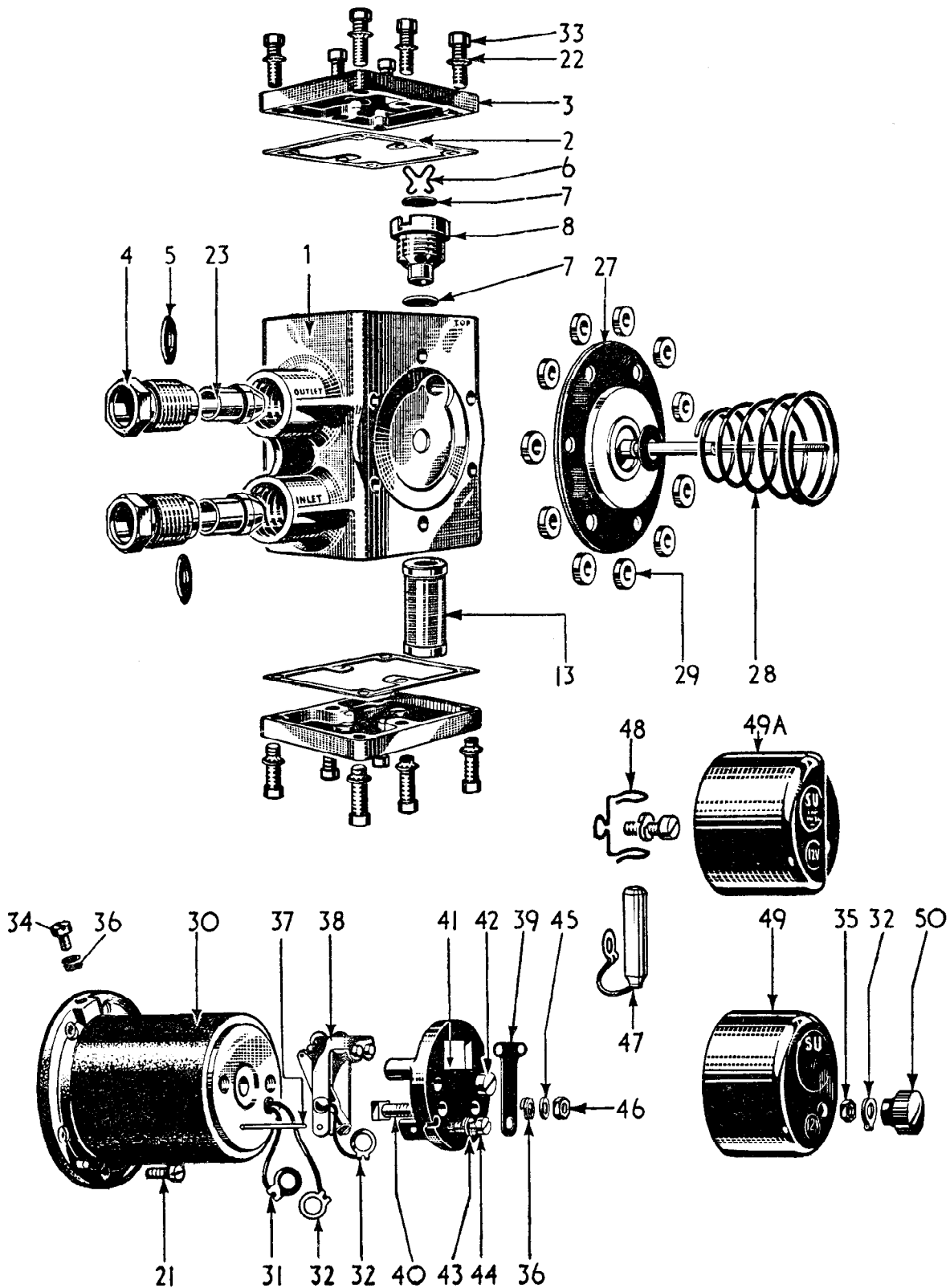


# ELECTRIC FUEL PUMP

(TYPE "LCS")



**AUTHORISED DISTRIBUTOR :**



TYPE "LCS" ELECTRIC FUEL PUMP

Specification Nos. AUA.57 and AUA.52

Illus. No.	Part No.	Qty. off	Description	Illus. No.	Part No.	Qty. off	Description
	<b>Spec. AUA.57</b>	1	<b>Electric fuel pump complete (basic type).</b>	37	AUA.1435	1	<b>ROCKER AND PEDESTAL GROUP</b>
	<b>AUA.52</b>	1	<b>Electric fuel pump complete (with condenser).</b>	38	AUA.6021	1	Spindle—contact breaker—inner and outer rocker.
			<b>BODY GROUP</b>	32	AUA.1456	1	Rocker and blade sub-assembly—double contact, including:—
1	AUA.4644	1	Body—aluminium—with tube.	39	AUA.6036	1	Terminal tag—2 B.A.
2	AUA.4646	2	Joint washer—lid.	40	AUA.1468	1	Spring blade—double contact—sub-assembly.
3	AUA.4645	2	Lid—top and bottom.	41	AUA.6034	1	Terminal screw—2 B.A.
4	AUA.4650	2	Inlet and outlet union.	42	AUA.1459	2	Pedestal sub-assembly.
5	AUA.4979	2	Rubber sealing ring.	43	AUA.868	1	Pedestal screw.
6	AUA.4609	1	Spring clip—valve cage.	44	AUA.847	1	Spring washer—5 B.A.
7	AUA.4611	2	Valve disc.	45	AUA.1662	1	Screw—5 B.A.—spring blade.
8	AUA.4607	1	Valve cage.	46	AUA.1661	1	Lead washer.
13	AUA.4647	1	Filter.	47	AUA.5060	1	Terminal nut—2 B.A.—recessed.
22	AUA.4643	12	Shakeproof washer—2 B.A.	48	AUA.5059	1	Condenser } Spec. AUA.152
33	AUA.4083	12	Screw—2 B.A.	49	AUA.1466	1	Spring clip—condenser } only.
23	AUA.4649	2	Nipple—inlet and outlet.				End cover—black.
			<b>DIAPHRAGM GROUP</b>		AUA.5078	or	End cover—black (Spec. AUA.52 only).
27	AUA.6010	1	Diaphragm sub-assembly.	50	AUA.869	1	Terminal knob.
28	AUA.1785	1	Spring armature.	35	AUA.878	1	Terminal nut.
29	AUA.1433	11	Roller.				
			<b>COIL GROUP</b>				
30	AUA.6003	1	Coil housing sub-assembly—12 volt, including:—				
31	AUA.1455	1	Terminal tag—5 B.A.				
32	AUA.1456	1	Terminal tag—2 B.A.				
21	AUA.1453	6	Screw 2 B.A.—coil housing to body.				
34	AUA.4850	1	Earthing screw—2 B.A.				
36	AUA.1863	4	Spring washer—double coil.				

MANUFACTURED BY

**THE S.U. CARBURETTER COMPANY LTD.**

*Proprietors : MORRIS MOTORS LIMITED*

**WOOD LANE      ERDINGTON      -      BIRMINGHAM, 24**

SOLE EXPORTERS

**NUFFIELD EXPORTS LIMITED**

*Proprietors : MORRIS MOTORS LIMITED*

**COWLEY      -      OXFORD      -      ENGLAND**

*Telephone : OXFORD 77733  
Telex : MOREX, OXFORD  
Telegrams and Cables : MOREX, OXFORD*



*Codes : BENTLEY'S, BENTLEY'S SECOND  
PHRASE, A.B.C. (5th AND 6th EDITIONS),  
WESTERN UNION AND PRIVATE*